



1P-LTE Series

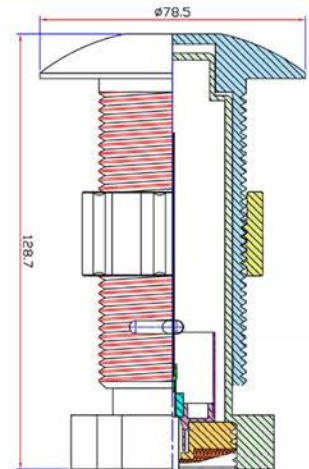
Extractable Pit-lid Antenna

- LTE 4G/3G for Bands 2/ 4/ 13/ 17
- 704~787 MHz and 1710~2155 MHz,
- Radiation Pattern: Omni Directional
- High Performance Low-Loss RG58 A/U Cable
- SMA Male Connector
- UV Resistant Housing

Product Details

The **Skywave 1P-7200 series** is an LTE 4G/ 3G extractable pit-lid antenna. This antenna has a unique interlocking mechanism which provides the ability to switch between multiple antenna's without having to dismount from the lid ultimately saving time, money, and hassle. This antenna covers LTE Bands 2/ 4/ 13/ and 17. Also available in various cable lengths and connector types.

For more details, contact Skywave Antennas.



Part Number	1P-7204-B	1P-7206-B	1P-7212-B
Frequency	704~787/ 1710~2155 MHz	704~787/ 1710~2155 MHz	704~787/ 1710~2155 MHz
Gain	2.5dB	2.5dB	2.5dB
VSWR	≤ 2.5	≤ 2.5	≤ 2.5
Return Loss	< -10 dB	< -10 dB	< -10 dB
Cable Length	4 foot	6 foot	12 foot
Connector Type	SMA Male	SMA Male	SMA Male